

Official agent Benelux
www.ipspumps.be



SUBMERSIBLE CUTTER PUMP

LEOPARD

SERIES 50HZ



Features

- Non clog operation with cutting action
- Robust construction
- EKK Eagle Burgmann double mechanical seal CA/CE & SIC/SIC
- Built-in motor protection
- Tungsten Edge hardness is 89HRA
- Volute 4 inch connection available in JIS 10K, ANSI 125/150 and DIN PN10/16
- 3HP volute connection available for 3 inch in DIN PN10/16
- Adjustable clearance construction to maintain performance

Applications

- Sewage
- Storm water drainage
- Wastewater
- Commercial building

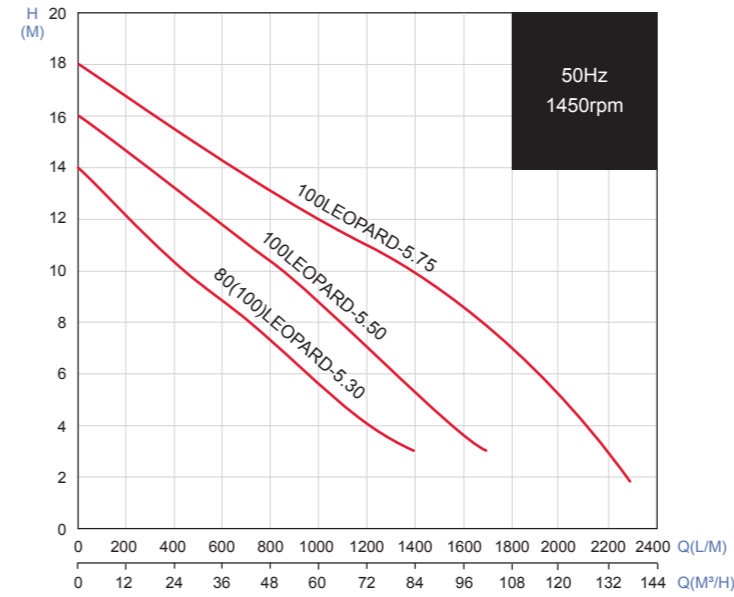
Data Chart

Type	Output		Discharge	F.L.A.		Rated		Maximum		Free Passage	Weight(W/O Cable)		Q.D.C.
	HP	kw		1ø	3ø	Head M	Cap. LPM	Head M	Cap. LPM		mm	1ø-kg	
80(100)LEOPARD-5.30	3	2.2	3"(4")	—	5A	8	700	14	1400	56	—	75	QL-100
100LEOPARD-5.50	5	3.7	4"	—	7.9A	11	700	16	1700	80	—	84	QL-100
100LEOPARD-5.75	7.5	5.5	4"	—	12.1A	13	800	18	2300	70	—	135	QL-100

Specifications

	Liquid Temperature	0~40°C (32~104°F)
	Submersible depth	10M
Motor Part	Frequency	50Hz
	Pole	4 Pole
	Type	Dry Motor
	Insulation	Class F
	Protection	IP 68
Pump Part	Protector	Auto-cut
	Bearing	Ball Type
	Mechanical seal	Double Mechanical Seal
	Impeller	Semi-open Channel Impeller

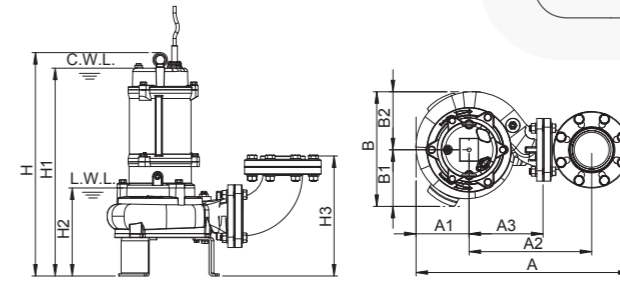
Performance Curve



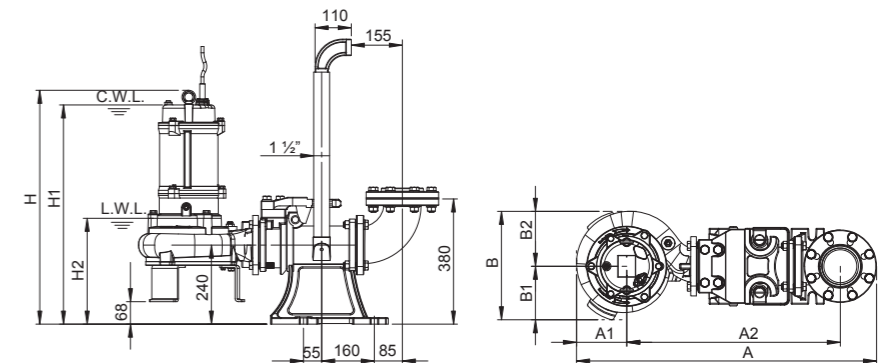
All technical information is subject to change without notice.



100LEOPARD-5.30~75

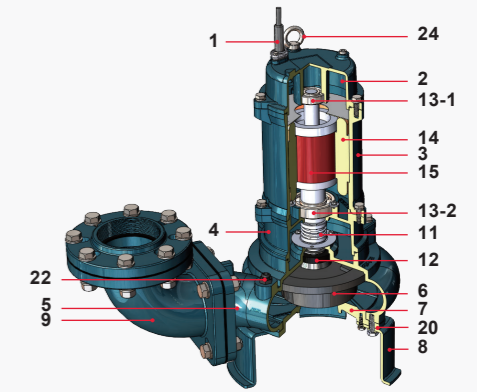


100LEOPARD-5.30~75 with QL-100 Q.D.C.



Dimensions (mm)

Type	A	A1	A2	A3	B	B1	B2	H	H1	H2	H3
100LEOPARD-5.30	615	152	352	212	330	163	167	642	597	253	345
100LEOPARD-5.50	635	159	372	216	340	173	167	700	645	260	355
100LEOPARD-5.75	686	194	387	260	410	205	205	810	770	335	430
100LEOPARD-5.30+QL	911	152	648	—	330	163	167	710	665	321	68
100LEOPARD-5.50+QL	935	159	668	—	340	173	167	768	713	328	68
100LEOPARD-5.75+QL	982	194	683	—	410	205	205	878	838	403	68



Parts and Material List

No.	Part	Material
1	Cable	H07RN-F
2	Motor Cover	EN-GJL-200
3	Motor Housing	EN-GJL-200
4	Oil Chamber	EN-GJL-200
5	Volute	EN-GJL-200
6	Impeller	EN-GJL-200
7	Suction Plate	EN-GJS-700
8	Pump Feet	SC
9	Discharge Elbow	EN-GJL-200
11	Mechanical Seal	Top: CA/CE Bottom: SIC/SIC
12	Lip Seal	NBR
13-1	Upper Bearing	NTN/TPI
13-2	Lower Bearing	NTN/TPI
14	Stator	
15	Rotor with Shaft	AISI 410
20	Suction Plate Gasket	PE
22	Air Release Valve	PP
24	Eye bolt	AISI 304

TPI is a family brand of NTN group.