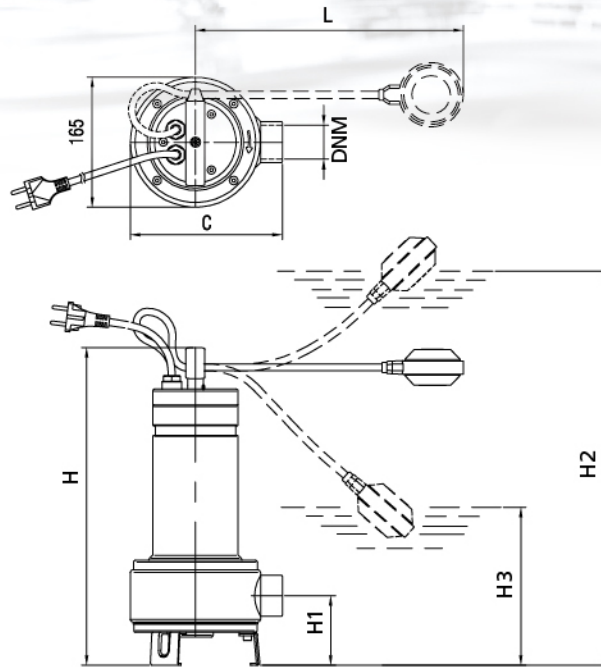


## EWSS-Series Dimensions



Type	Dimensions (mm)		H1	H2	H3	L	C
	H	PH					
40EWSS-5.07	403	403	88	-	-	-	193
40EWSS-5.07A	403	-	88	483	185	350	193
50EWSS-5.10	486	436	111.5	-	-	-	198
50EWSS-5.10A	486	-	111.5	566	268	350	198
50EWSS-5.15	486	486	111.5	-	-	-	198
50EWSS-5.15A	486	-	111.5	566	268	350	198
50EWSS-5.20	-	486	111.5	-	-	-	198

**evak**  
pumps & pumps

**IPS**  
www.ipspumps.be

# EWSS SERIES 50HZ

Submersible Vortex Sewage Pump



**evak**  
pumps & pumps

**IPS**

Official agent Benelux

**EVAK PUMP TECHNOLOGY CORP.**

No. 551, Zhongshan Rd., Qingshui Dist., Taichung City 436, Taiwan.  
TEL: +886-426-233556 Fax: +886-426-235559

www.evak-pumps.com



# EWSS SERIES 50HZ

## Submersible Vortex Sewage Pump

### Feature

- / Fully made in stainless steel SUS 304
- / Double mechanical seal in Si.Ca and V ring oil seal
- / Suspended solids up to 50 mm.
- / Thermal protector embedded in the winding (single phase)
- / Impeller in stainless steel SUS 304

### Application

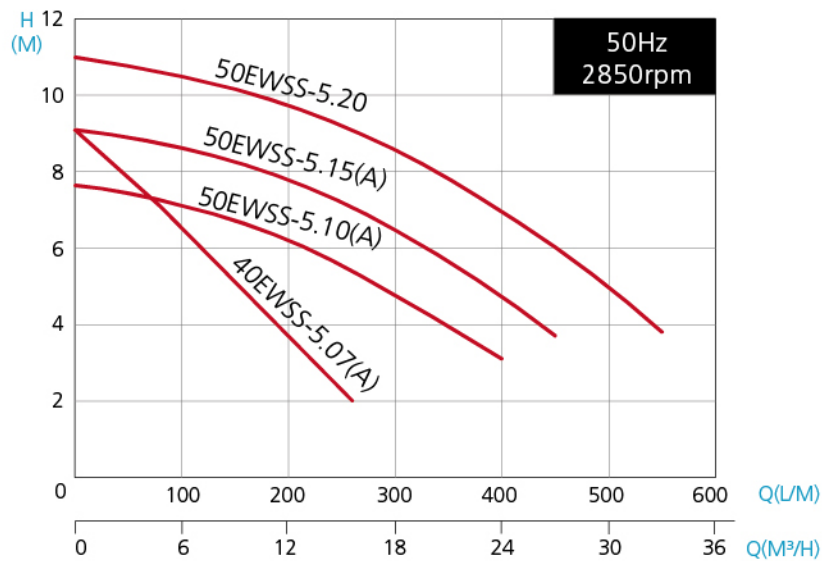
- / Pumping of effluent also with suspended solids up to 50 mm. diameter and filaments
- / Emptying of septic tanks and residential sumps
- / Pumping of sewage in both residential and industrial applications
- / Drainage of cellars, basements, garages



### Specifications

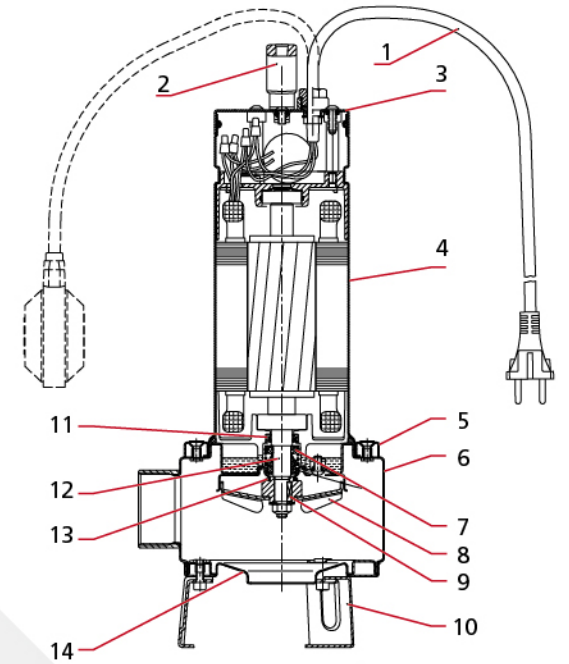
Liquid Temperature	0~35°C (32~95°F)	
Submersible depth	5M	
<b>Motor Part</b>	Frequency	50Hz
	Pole	2 Pole
	Type	Dry Type
	Insulation	Class F
	Protection	IP 68
<b>Pump Part</b>	Protector	Thermal Protector (1PH)
	Bearing	Double-shielded Ball Type
	Mechanical seal	Dual. Mechanical Seal
	Impeller	Vortex Type

### Performance Curve



### Parts and Material List

No	Part	Material
1	Cable	H07RN-F
2	Handle	SUS 304+Nylon
3	Motor Cover	SUS 304
4	Motor Housing	SUS 304
5	Fixing Ring	SUS 304
6	Pump Casing	SUS 304
7	Mechanical Seal	Silicon Carbide/Silicon Carbide/NBR
8	Impeller	SUS 304
9	Key	SUS 304
10	Support Foot	SUS 304
11	Oil Seal	NBR
12	Shaft	SUS 304
13	V-type Axial Oil Seal	NBR
14	Suction	SUS 304



### Data Chart

Type	Output		Discharge	F.L.A.		Max Head		Max Cap.		Cable	Free Passage	Weight
	HP	KW		1ø 230V	3ø 400V	Head m	Cap. LPM	Head m	Cap. LPM			
40EWSS-5.07	0.75	0.55	1 1/2"	3.58	1.33	7.1	80	9.1	260	5	35	10
40EWSS-5.07A	0.75	0.55	1 1/2"	3.58	-	7.1	80	9.1	260	5	35	10.5
50EWSS-5.10	1	0.75	2"	4.78	2.07	7.1	100	7.7	400	10	50	13(1PH)/11(3PH)
50EWSS-5.10A	1	0.75	2"	4.78	-	7.1	100	7.7	400	10	50	13.5
50EWSS-5.15	1.5	1.1	2"	7.21	2.48	8.6	100	9.1	450	10	50	14(1PH)/13(3PH)
50EWSS-5.15A	1.5	1.1	2"	7.21	-	8.6	100	9.1	450	10	50	14.5
50EWSS-5.20	2	1.5	2"	-	3.31	10.2	150	11	550	10	50	14

